

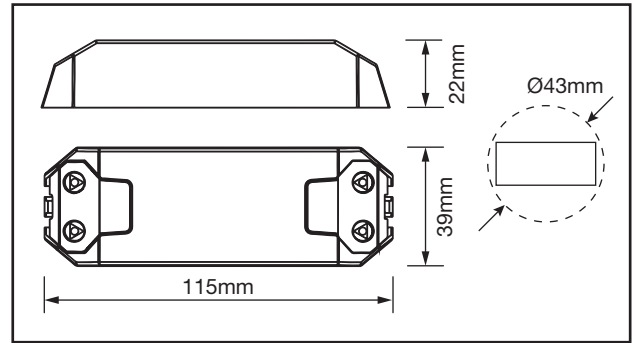
ADRCC350TD/4-9

4-9W Dimmable 350mA
Constant Current LED Driver

Drive350

PRODUCT FEATURES

- Easy Wire Large Terminals
- Dimmable
- Flicker Free Dimming
- Max. DC Loom Length 200m (1.5mm² Cable)
- Load:
 - 4...9 PCS x 1W LED (350mA)
 - 1...3 PCS x 3W LED (350mA)
 - 1 PC x 7W LED (350mA)



TECHNICAL SPECIFICATIONS

PRODUCT CODE	ADRCC350TD/4-9
Rated Input Voltage	220-240V AC
Output Current	350mA
Output Power Range	4 - 9W
Input Current	0.06A
Input Frequency	50 - 60Hz
Power Factor	0.98
Efficiency	≥78%
Output Voltage	11- 26V DC
Operating Temperature (°C)	-20°C ~ +50°C
Protection	No Load, Overload, Short Circuit
Recovery	Automatic
Class	II
Lifetime	30,000 Hrs
Guarantee	5 Years

